



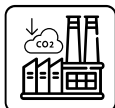
# MECHLION PUMPS



## MHM(I) Series

Horizontal Multistage pumps

	<b>MOST SILENT PUMP IN ITS CLASS</b>
	<b>ROBUST &amp; STRONG BUILT</b>
	<b>ECONOMICAL &amp; HIGHER ENERGY SAVINGS</b>
	<b>FULLY PROTECTED PUMP SET</b>
	<b>HIGH RELIABILITY &amp; PERFORMANCE</b>
	<b>INTELLIGENT CONTROLLER</b>
	<b>VERY LOW MAINTENANCE</b>



# Contents

## MHM, MHMI

### General data

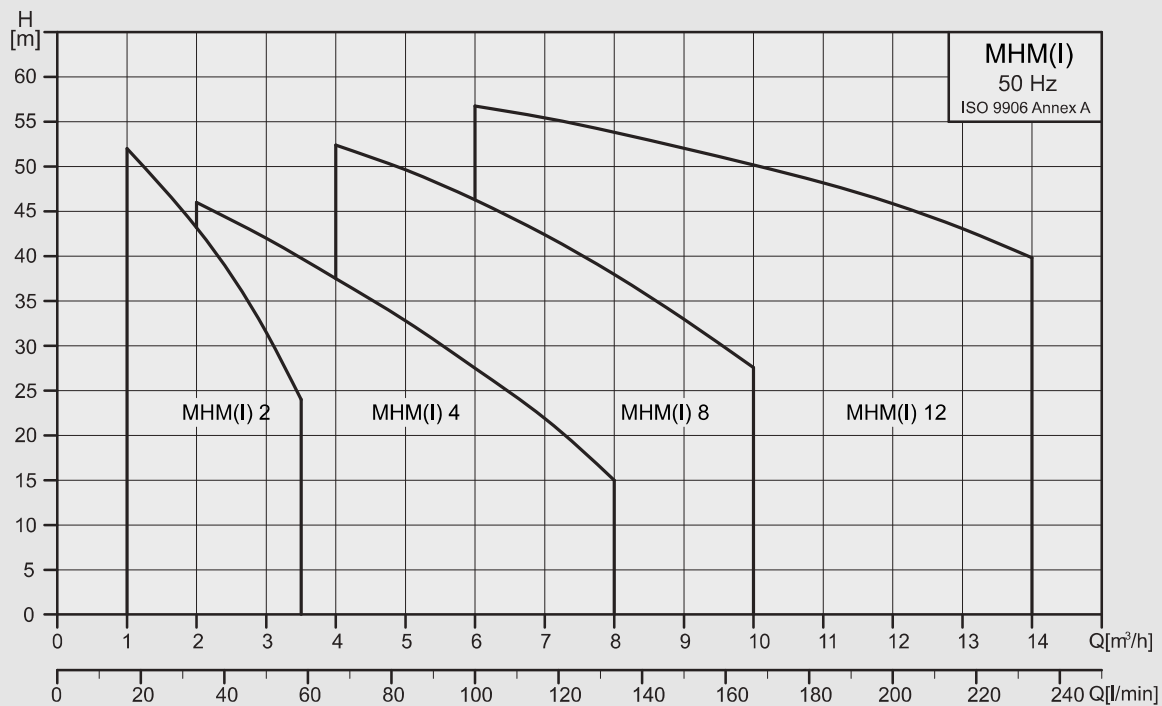
3	Performance range 50 Hz, 60 Hz
4	Applications
4	Pump
4	Motor
5	Operating conditions
5	Type key, Mechanical seals
6	Material construction

### Technical data

7	Performance curves	MHM, MHMI 2- 50 Hz
8	Performance curves	MHM, MHMI 4- 50 Hz
9	Dimensions and weights	MHM, MHMI 2,4 - 50 Hz
10	Performance curves	MHM, MHMI 08- 50 Hz
11	Performance curves	MHM, MHMI 12 - 50 Hz
12	Dimensions and weights	MHM, MHMI 08,12 - 50 Hz



## Performance range, 50Hz



## Applications

- \*Domestic
- \*Liquid transfer and circulation of liquids within light industry and farming
- \*Pressure boosting
- \*Air-conditioning systems
- \*Cooling systems or cooling machine
- \*Specialized OEM equipment

## Pump

The **MHM & MHMI** series are non-self priming, horizontal multistage centrifugal pumps. Pump is coupled with motor at the same shaft and mounted on a base-plate. The friendly design makes the pump suitable for installation in the small domestic or industrial water supply systems. The pump is fitted with a mechanical seal and through-going pump-motor shaft.

The discharge and suction chamber are made of cast iron. The other parts of pump in contact with the liquid are made of stainless steel.

**MHMI:** All parts of pump in contact with the liquid are made of stainless steel.

EPDM or Viton O-rings are available as standard.

## Pipe connections:

Connections	MHM(I) 2	MHM(I) 4	MHM(I) 8	MHM(I) 12
Suction port	Rp 1	Rp 1 1/4	Rp 1 1/2	Rp 1 1/2
Discharge port	Rp 1	Rp 1	Rp 1 1/4	Rp 1 1/2
Drain hole, priming hole	Rc 3/8	Rc 3/8	Rp 1/2	Rp 1/2

## Motor

The pump is fitted with a totally enclosed, fan-cooled, squirrel-cage motor.

Rated speed: 2850rpm(50Hz), 3450rpm(60Hz)

Enclosure class: IP 54

Insulation class: F

Standard voltages:

50HZ 1Ø

0.5HP~3.0HP 220-240V

60HZ 1Ø

0.5HP~1.0HP 110/220V

1.5HP~3.0HP 220-240V

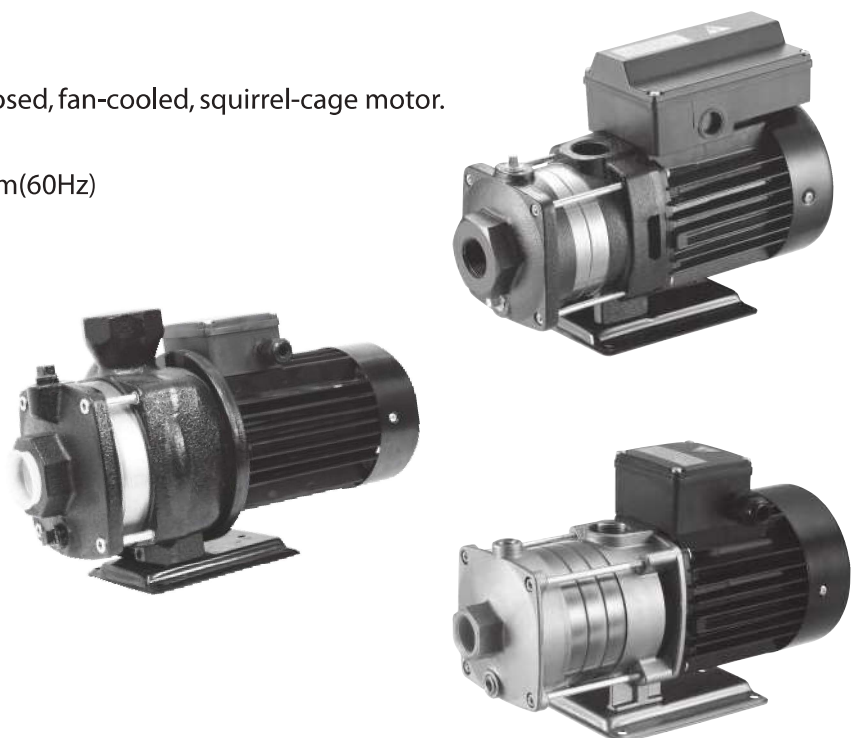
50HZ 3Ø

0.5HP~4.0HP 220-240V/380-415V

60HZ 3Ø

0.5HP~1.5HP 220-255V/380-440V

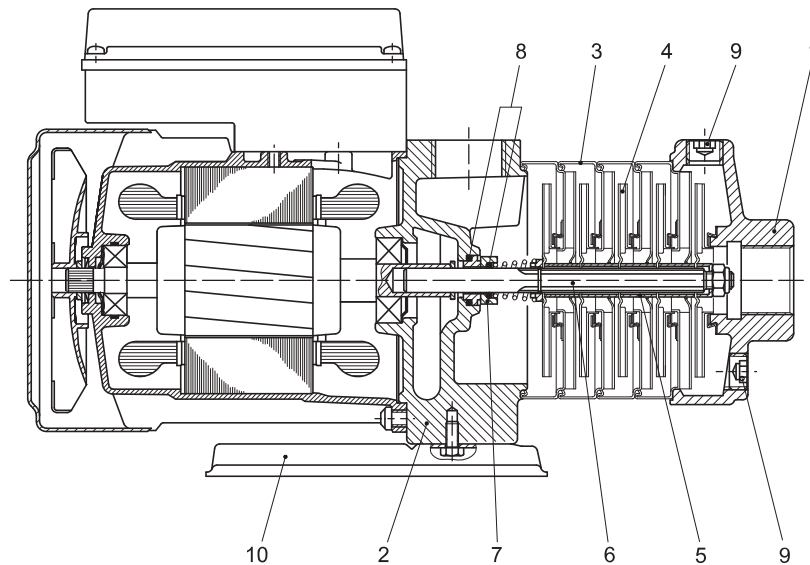
2.0HP~4.0HP 220-277V/380-480V



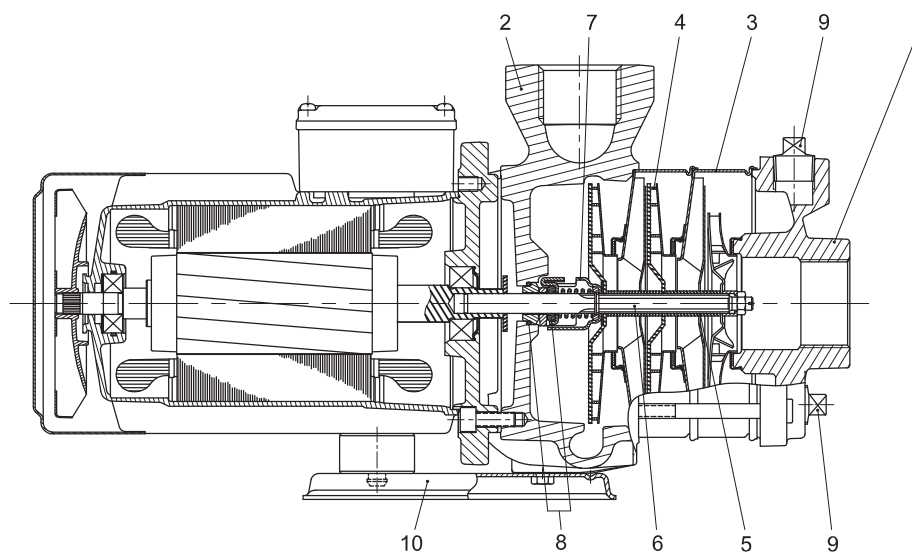


## Material construction

### MHM(I) 2,4

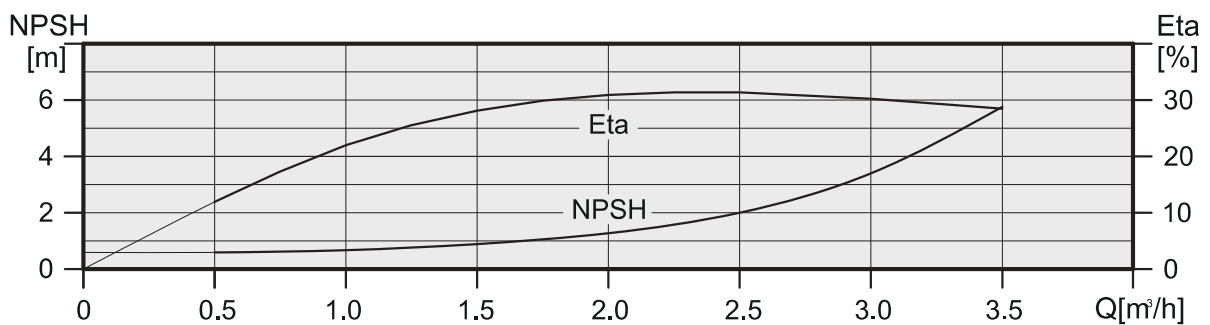
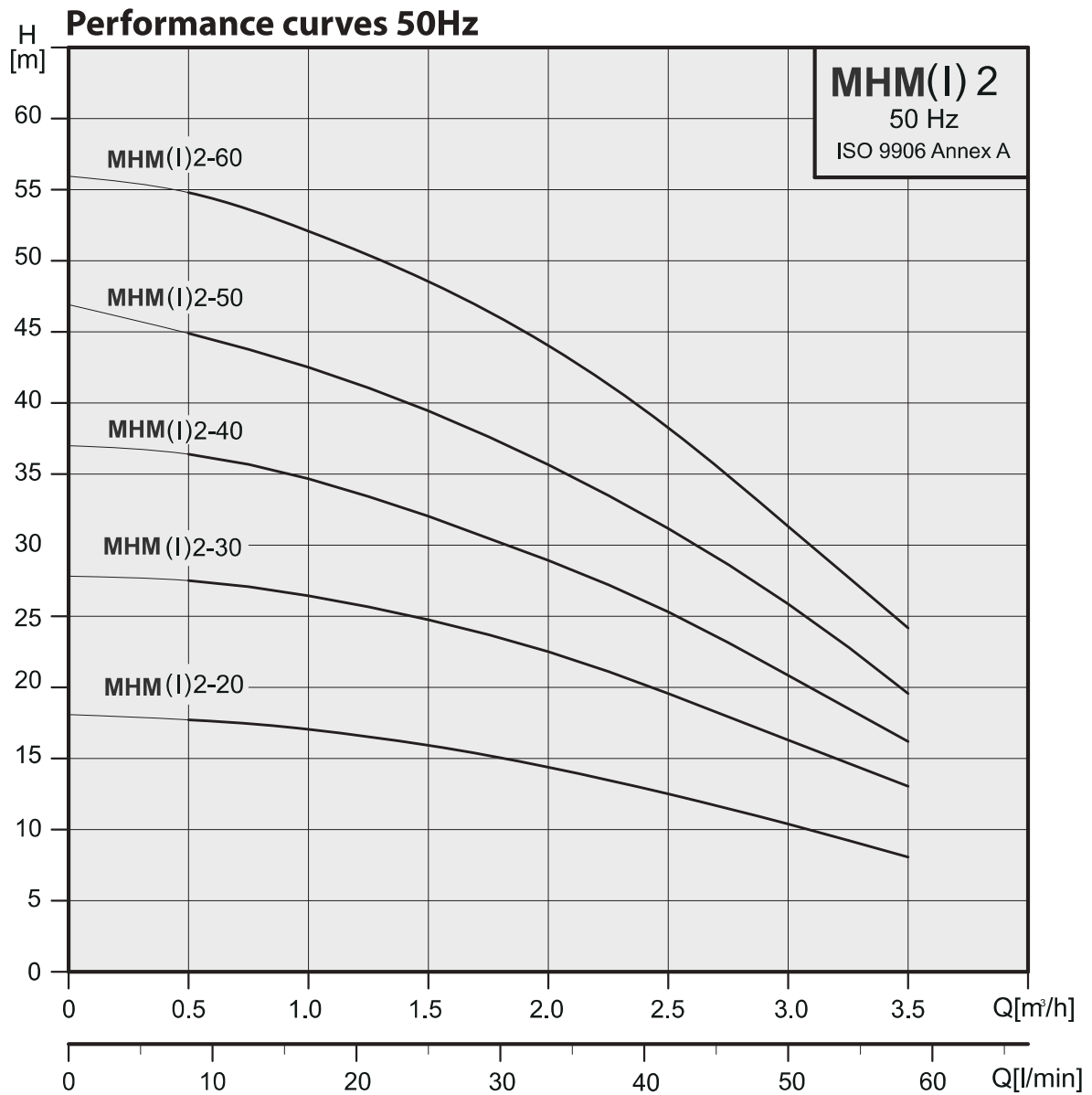


### MHM(I) 8,12



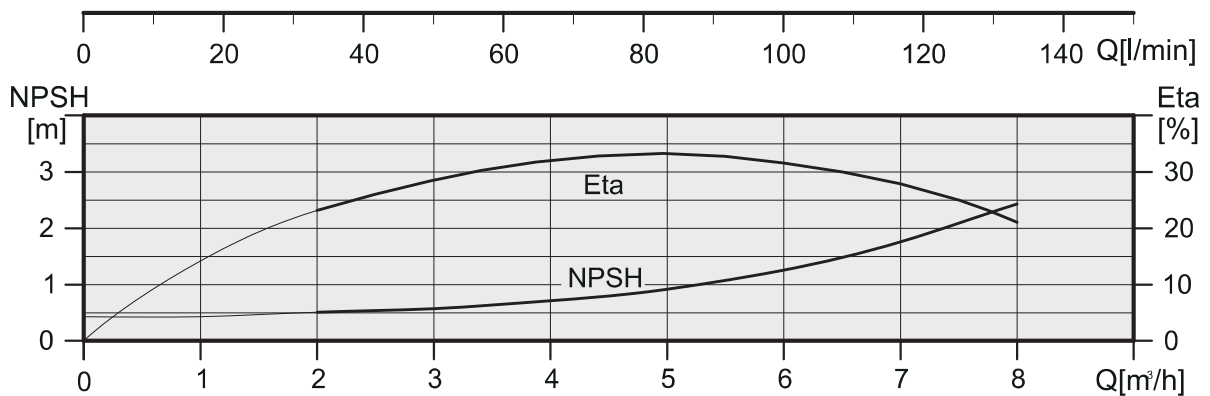
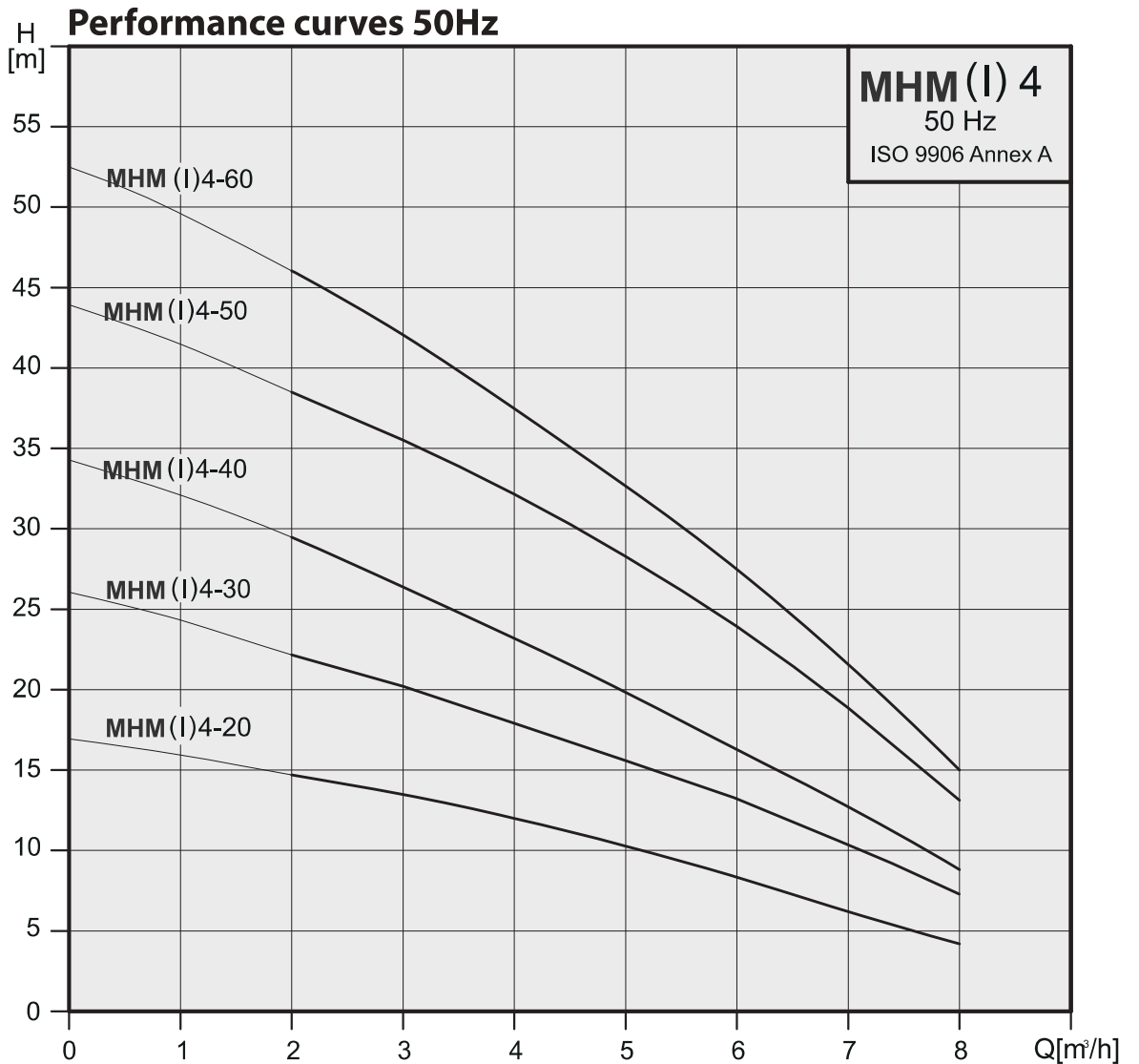
## Materials

Pos.	Description	Materials	
		CB	CBI
1	Suction chamber	Cast iron	SS304
2	Pump head	Cast iron	SS304
3	Intermediate chamber	SS304	SS304
4	Impeller	SS304	SS304
5	Spacing pipe	SS304	SS304
6	Shaft	SS431	SS431
7	Mechanical seal	Silicon carbide / Carbon	Silicon carbide / Carbon
8	O-ring	EPDM	EPDM
9	Drain and priming plug	Steel	SS304
10	Base plate	Steel	SS304



### Electrical data, 2850 min<sup>-1</sup>

pump type	1 x 220-240 V		3 x 220-240 Δ/380-415 V V	
	P <sub>1</sub> [W]	I <sub>1/1</sub> [A]	P <sub>1</sub> [W]	I <sub>1/1</sub> [A]
MHM(I) 2-20	380	1.7-2.0	430	2.2-2.6 / 1.3-1.5
MHM(I) 2-30	470	2.1-2.2	530	2.2-2.5 / 1.3-1.45
MHM(I) 2-40	620	2.7-2.8	660	2.4-2.8 / 1.4-1.6
MHM(I) 2-50	720	3.2-3.1	770	2.5-2.9 / 1.45-1.7
MHM(I) 2-60	830	3.7-3.6	860	2.9-3.3 / 1.7-1.9



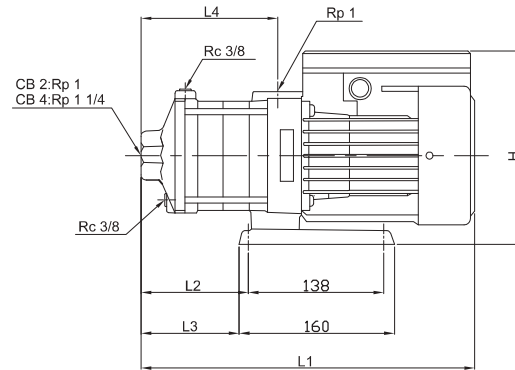
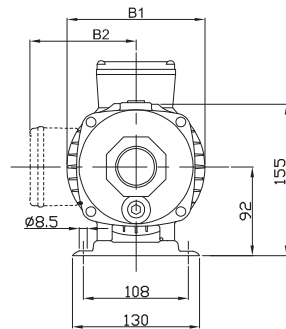
### Electrical data, 2850 min<sup>-1</sup>

pump type	1 x 220-240 V		3 x 220-240 Δ / 380-415 Y V	
	P <sub>1</sub> [W]	I <sub>1/1</sub> [A]	P <sub>1</sub> [W]	I <sub>1/1</sub> [A]
MHM(I) 4-20	560	2.6-2.5	610	2.4-2.9 / 1.4-1.7
MHM(I) 4-30	770	3.6-3.5	790	2.5-2.9 / 1.5-1.7
MHM(I) 4-40	960	4.4-4.1	1010	3.1-3.3 / 1.8-1.9
MHM(I) 4-50	1160	5.3-5.0	1240	4.2-4.5 / 2.4-2.6
MHM(I) 4-60	1430	6.7-6.4	1460	5.1-5.5 / 2.9-3.2



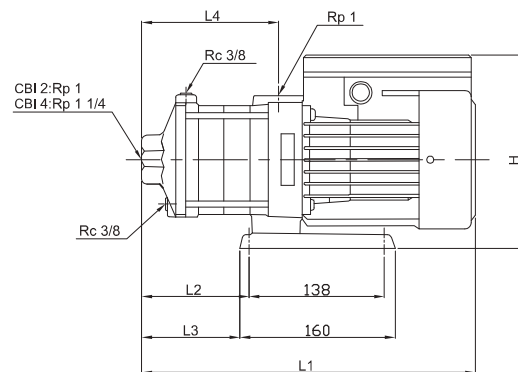
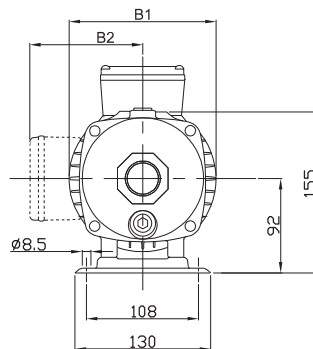
## Dimensions and weights 50 Hz

### MHM-2, MHM 4



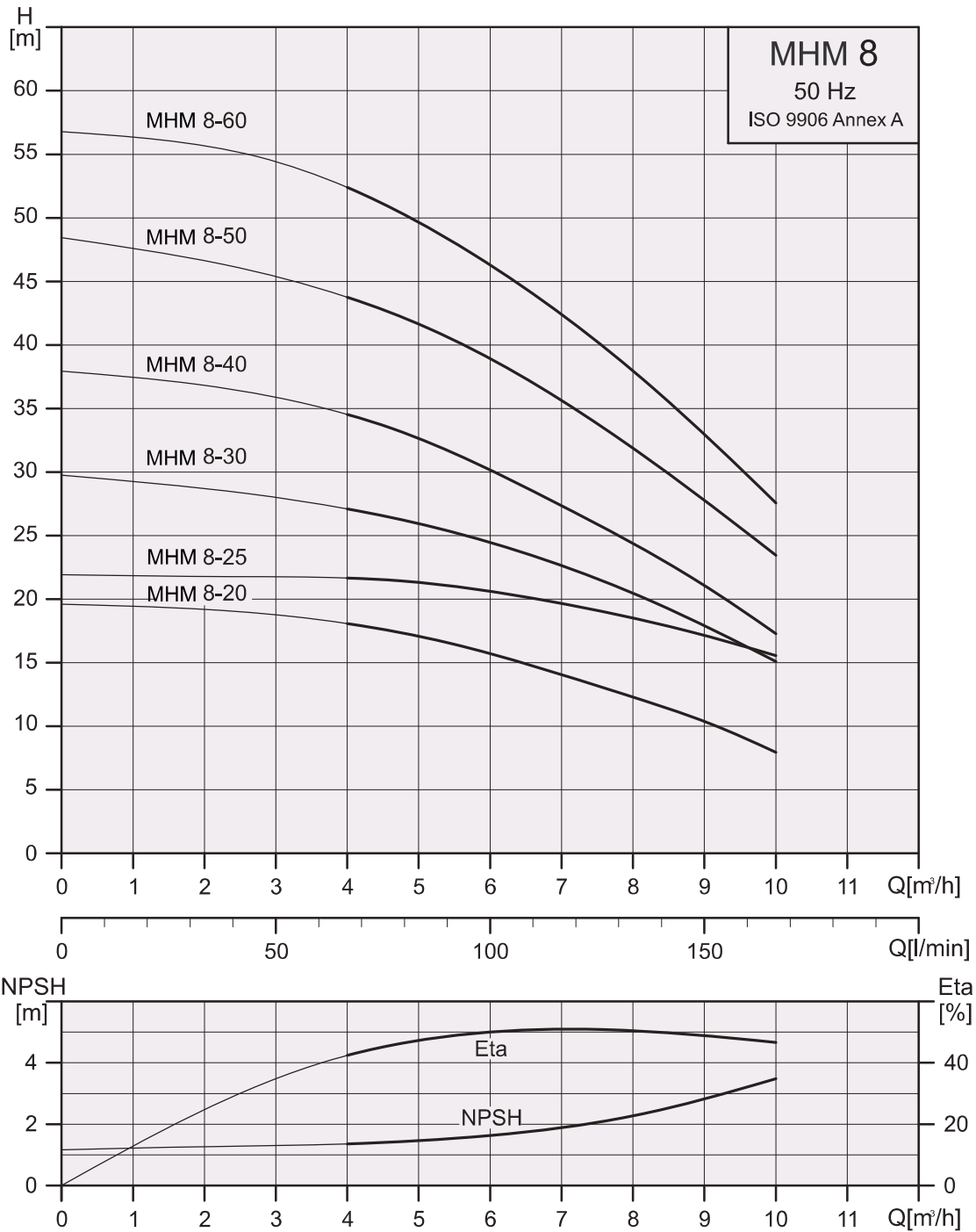
pump type	mm									Kg	
	L1	L2	L3	L4	B1	B2		H		1phase	3phase
						1phase	3phase	1phase	3phase		
MHM 2-20	309	75	63	101	141	127	115	228	207	10.3	10.0
MHM 2-30	327	93	81	119	141	127	115	228	207	10.5	10.3
MHM 2-40	345	111	99	137	141	127	115	228	207	10.8	10.5
MHM 2-50	363	129	117	155	141	127	115	228	207	11.6	11.2
MHM 2-60	381	147	135	173	141	127	115	228	207	11.8	11.5
MHM 4-20	318	84	72	110	141	127	115	228	207	10.4	10.1
MHM 4-30	344	111	99	137	141	127	115	228	207	10.8	10.5
MHM 4-40	372	138	126	164	141	127	115	228	207	11.6	11.2
MHM 4-50	438	165	153	191	141	127	115	228	207	13.4	13.1
MHM 4-60	465	192	180	218	141	127	115	228	207	14.8	14.5

### MHMI-2, MHMI 4



pump type	mm									Kg	
	L1	L2	L3	L4	B1	B2		H		1phase	3phase
						1phase	3phase	1phase	3phase		
MHMI 2-20	309	75	63	101	141	127	115	228	207	9.1	8.8
MHMI 2-30	327	93	81	119	141	127	115	228	207	9.4	9.1
MHMI 2-40	345	111	99	137	141	127	115	228	207	9.6	9.4
MHMI 2-50	363	129	117	155	141	127	115	228	207	10.4	10.1
MHMI 2-60	381	147	135	173	141	127	115	228	207	10.7	10.3
MHMI 4-20	318	84	72	110	141	127	115	228	207	9.2	9.0
MHMI 4-30	344	111	99	137	141	127	115	228	207	9.6	9.3
MHMI 4-40	372	138	126	164	141	127	115	228	207	10.4	10.1
MHMI 4-50	438	165	153	191	141	127	115	228	207	11.3	12.0
MHMI 4-60	465	192	180	218	141	127	115	228	207	13.6	13.4

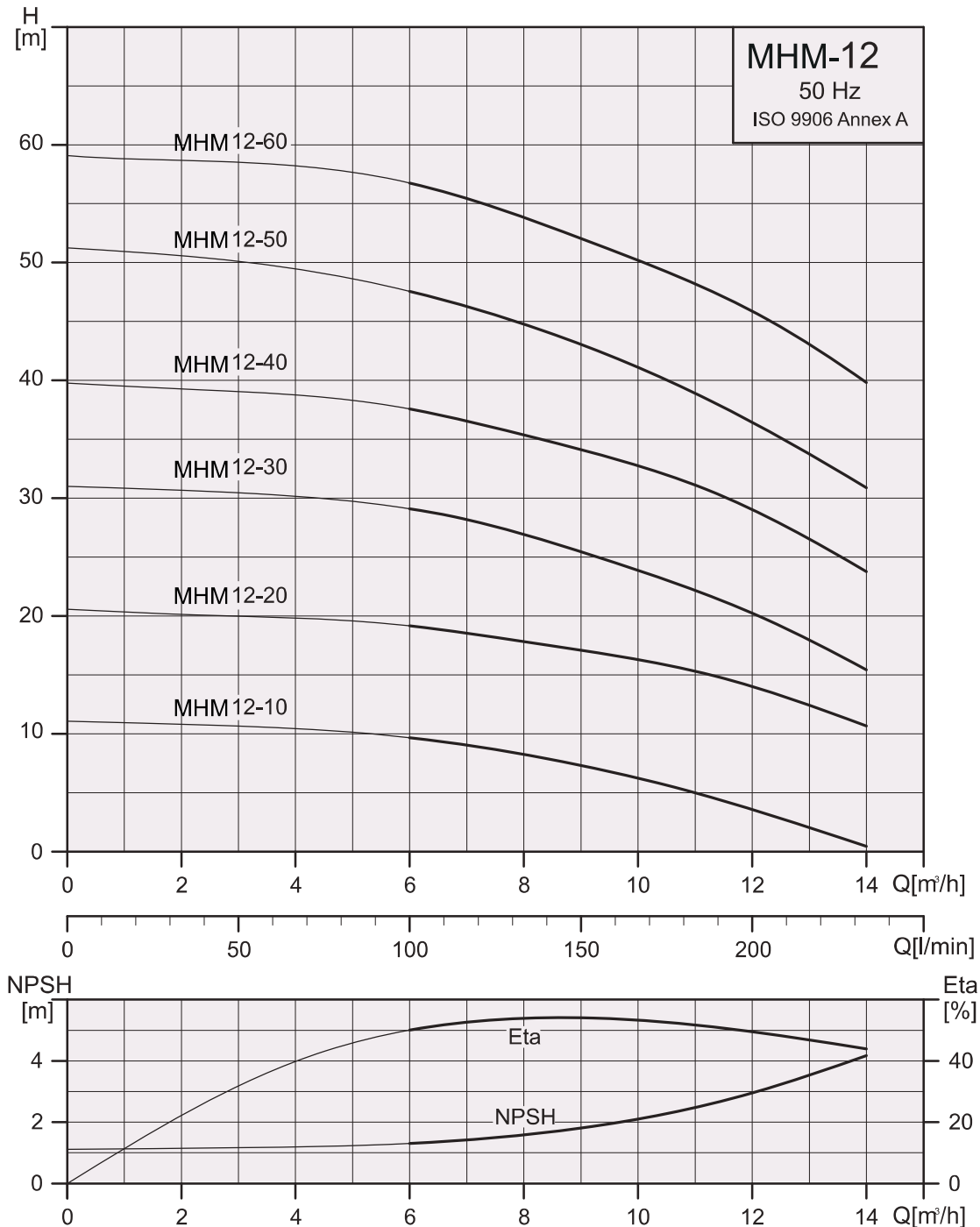
## Performance curves 50Hz



## Electrical data, 2850min<sup>-1</sup>

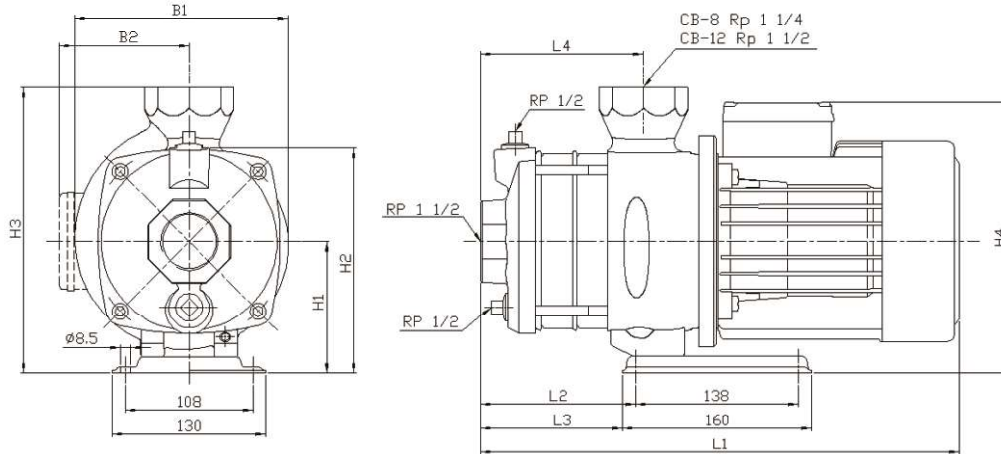
pump type	1x220-240 V		3x220-240/380-415 V	
	P <sub>1</sub> [W]	I <sub>1/1</sub> [A]	P <sub>1</sub> [W]	I <sub>1/1</sub> [A]
MHM(I) 8-20	595	3.3-3.2	810	2.9-3.3 / 1.7-1.9
MHM(I) 8-25	-	-	1060	3.5-3.8 / 2.0-2.2
MHM(I) 8-30	1130	5.2-5.0	1260	4.3-4.8 / 2.5-2.8
MHM(I) 8-40	1390	6.3-6.1	1520	5.7-6.3 / 3.3-3.7
MHM(I) 8-50	1940	8.2-8.1	1860	5.7-6.3 / 3.4-3.7
MHM(I) 8-60	2090	9.0-8.8	2110	6.5-7.0 / 3.8-4.1

## Performance curves 50Hz



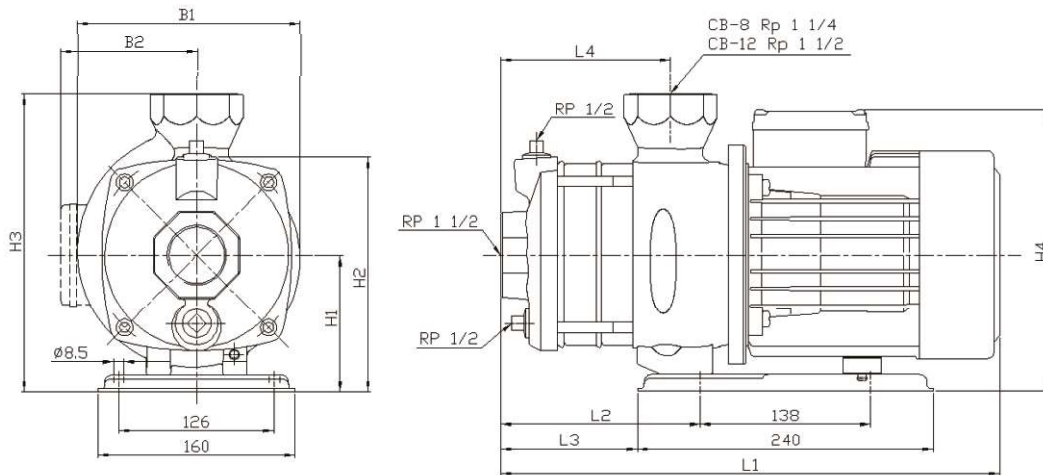
## Electrical data, 2850 min<sup>-1</sup>

pump type	1x220-240 V		3x220-240/380-415 V	
	P <sub>1</sub> [W]	I <sub>1/n</sub> [A]	P <sub>1</sub> [W]	I <sub>1/n</sub> [A]
MHM(I) 12-10	-	-	590	2.8-3.1 / 1.6-1.8
MHM(I) 12-20	1160	5.3-5.1	1170	3.8-4.0 / 2.2-2.3
MHM(I) 12-30	1680	7.8-7.4	1690	5.7-6.5 / 3.3-3.8
MHM(I) 12-40	2400	11.0-10.6	2350	7.3-7.6 / 4.2-4.4
MHM(I) 12-50	2910	12.7-12.2	2820	8.8-9.0 / 5.1-5.2
MHM(I) 12-60	-	-	3320	10.6-11.4 / 6.1-6.6



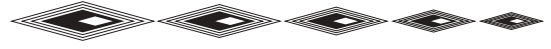
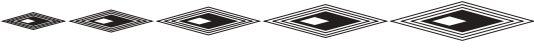
**MHM -8**

pump type	mm																Base(mm)		Kg	
	L1		L2		L3		L4	B1		B2		H1	H2	H3	H4		1phase	3phase	1phase	3phase
	1phase	3phase	1phase	3phase	1phase	3phase		1phase	3phase	1phase	3phase				1phase	3phase				
MHM 8-20	320	320	54	54	41	41	77	181	181	135	114	110	187	239	245	224	160	160	17.2	17
MHM 8-25	-	390	-	84	-	71	107	-	181	-	114	110	187	239	-	224	-	160	-	19.1
MHM 8-30	390	390	84	84	71	71	107	181	181	135	114	110	187	239	245	224	160	160	19.5	19.2
MHM 8-40	390	390	84	84	71	71	107	181	181	135	114	110	187	239	245	224	160	160	20.7	20.5
MHM 8-50	480	420	162	114	111	101	137	185	181	152	114	110	187	239	262	224	240	160	28.5	21.4
MHM 8-60	480	480	162	162	111	111	137	185	185	152	139	110	187	239	262	249	240	240	28.7	27.6



**MHM -12**

pump type	mm																Base(mm)		Kg	
	L1		L2		L3		L4	B1		B2		H1	H2	H3	H4		1phase	3phase	1phase	3phase
	1phase	3phase	1phase	3phase	1phase	3phase		1phase	3phase	1phase	3phase				1phase	3phase				
MHM 12-10	-	320	-	54	-	41	77	-	181	-	114	110	187	239	-	224	-	160	-	17.9
MHM 12-20	360	360	54	54	41	41	77	181	181	135	114	110	187	239	245	224	160	160	18.4	18.2
MHM 12-30	390	390	84	84	71	71	107	181	181	135	114	110	187	239	245	224	160	160	20.6	20.4
MHM 12-40	450	450	132	132	81	81	107	185	185	152	139	110	187	239	262	249	240	240	27.7	26.7
MHM 12-50	480	480	162	162	111	111	137	185	185	152	139	110	187	239	262	249	240	240	29.8	29.9
MHM 12-60	-	501	-	162	-	111	137	-	196	-	150	122	199	251	-	272	-	240	-	35.2



# Note

Ruled lines for writing notes.





Registered office :  
MECHLION Pumps India  
No 6/7, 2nd Floor , Parvath Arcade,  
Near Haiku Honda Showroom,  
Old Airport road, Domlur,  
Bangalore – 560071



[sales@mechlion.in](mailto:sales@mechlion.in)  
[service@mechlion.in](mailto:service@mechlion.in)

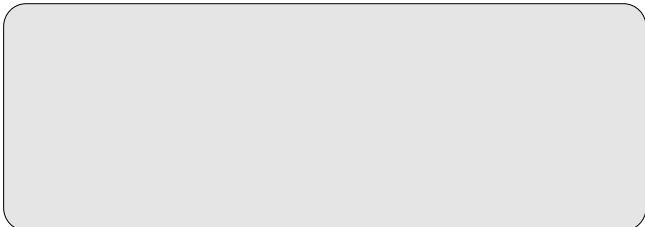


+91 90080 56699  
+91 99000 95490



[www.mechlion.in](http://www.mechlion.in)

AUTHORISED DISTRIBUTOR:



Our policy is of continuous improvement. We reserve the right to alter our technical data and specifications without notice.