



MECHLION PUMPS



CE
220V
50 HZ
2 UF

TYPE: HH 25-40 180

In (A)	P1 (W)
0.19	43
0.23	53
0.27	62

TF: 110
IP: 44
Max: 10 bar
Class: H
Made in Taiwan



HW/HH- Series

Hot water Circulation pumps



**MOST SILENT PUMP
IN ITS CLASS**



**ROBUST &
STRONG BUILT**



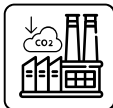
**ECONOMICAL &
HIGHER ENERGY
SAVINGS**



**HIGH RELIABILITY
& PERFORMANCE**



**VERY LOW
MAINTENANCE**





HH and HW and HWS series

Hot water pumps constitute a complete range of 3-speed circulator pumps, available both in 50 and 60 Hz. The pumps can be used in both open and closed systems. HH & HW pumps are of the canned-motor type, i.e. pump and motor form an integral unit without a shaft seal and with only two ceramic bearing for sealing. The bearings are lubricated by the pumped liquid.

Applications

Hot water circulator pumps are designed for circulation of liquids in heating and air-conditioning systems. Examples of typical applications are:

- One- and two-pipe heating systems
- Main pumps
- Zone pumps
- Boiler shunt pumps
- Pumps for heating surfaces
- Calorifiers
- Underfloor heating systems
- Solar heating systems
- Heat pump systems
- Geothermal heating systems
- Heat recovery systems
- Two-pipe air-conditioning systems
- Pumps for refrigeration units.

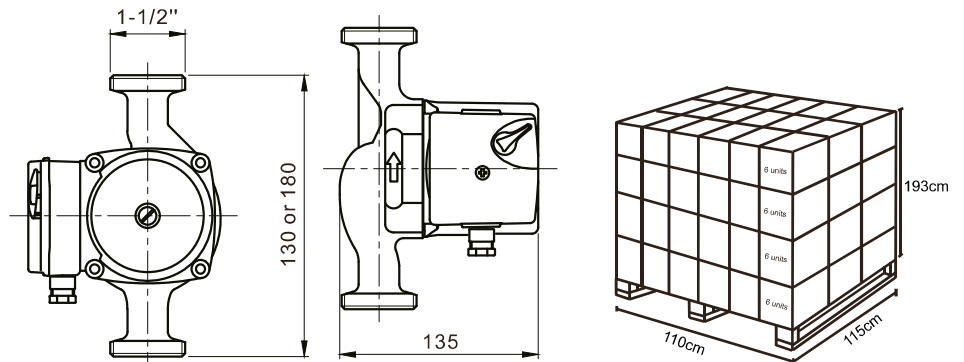
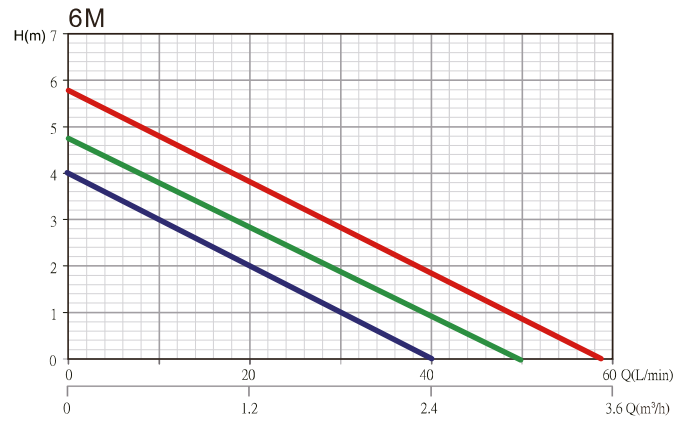
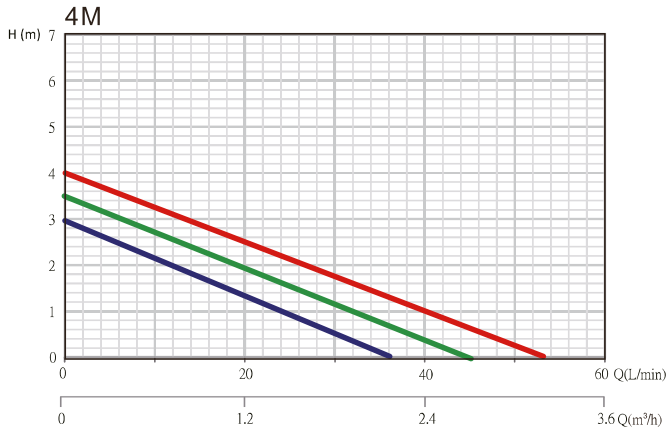
Features and benefits

- Low noise
- Low energy
- Available with corrosion-resistant stainless steel pump casing
- High volume of water
- Easy to installation





Performance curves



Specifications

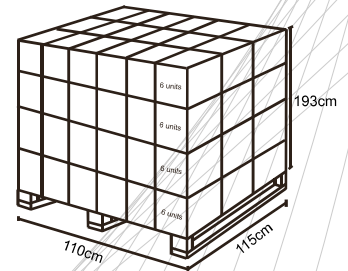
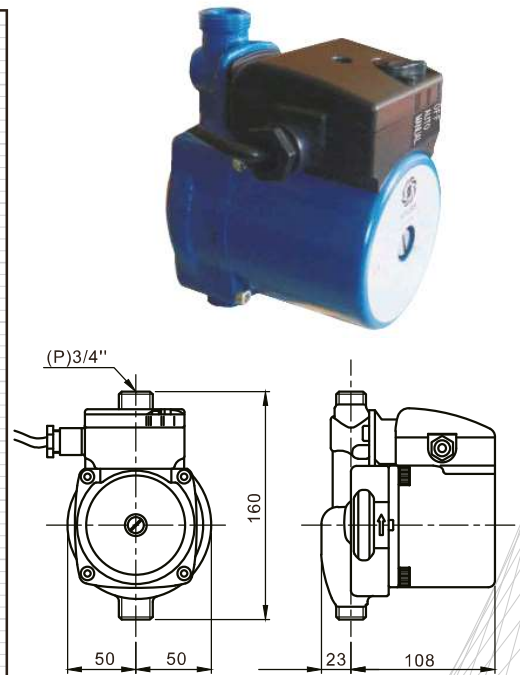
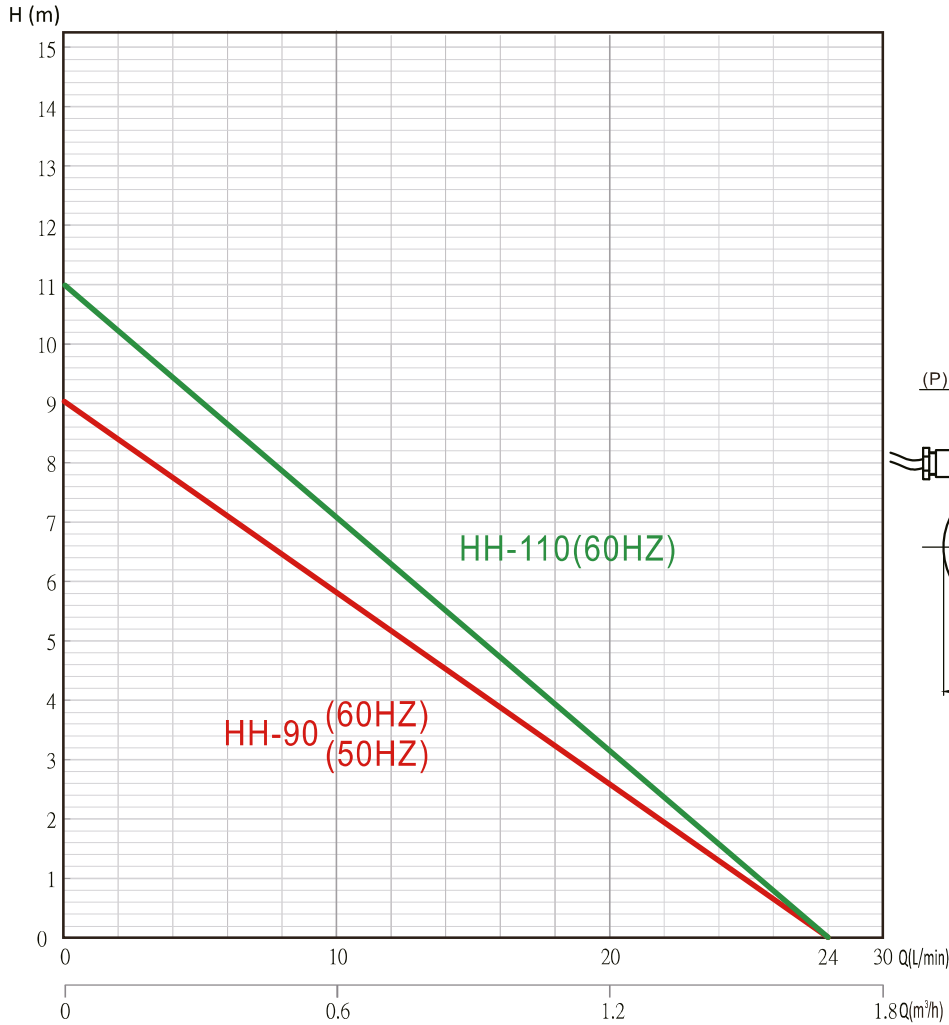
Model	HZ	Phase	Voltage	Power	Head	Flow	Current	input/output	Weight
HW-25-40-130	50	1 ϕ	220 V-240V	62.4/53.7/43.7	4	3.2	0.27	1-1/2"	2.3
HW-25-40-180	50	1 ϕ	220 V-240V	62.4/53.7/43.7	4	3.2	0.27	1-1/2"	2.6
HW-25-60-130	50	1 ϕ	220 V-240V	73.5/59.7/46.6	6	3.5	0.32	1-1/2"	2.3
HW-25-60-180	50	1 ϕ	220 V-240V	73.5/59.7/46.6	6	3.5	0.32	1-1/2"	2.6

Model	HZ	Phase	Voltage	Power	Head	Flow	Current	input/output	Weight
HW-25-60-130	60	1 ϕ	110V	80.0/65.0/50.0	6	3.5	0.37	1-1/2"	2.3
HW-25-60-180	60	1 ϕ	110V	80.0/65.0/50.0	6	3.5	0.37	1-1/2"	2.6
HW-25-60-130	60	1 ϕ	110V	80.0/65.0/50.0	6	3.5	0.73	1-1/2"	2.3
HW-25-60-180	60	1 ϕ	110V	80.0/65.0/50.0	6	3.5	0.73	1-1/2"	2.6





Performance curves



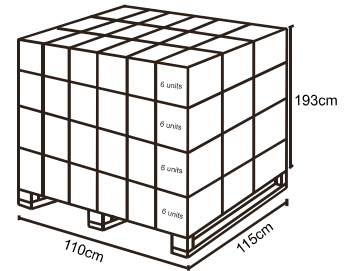
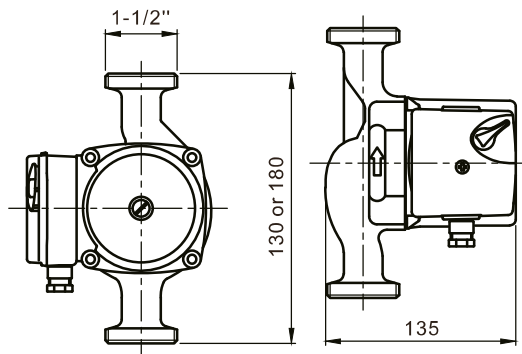
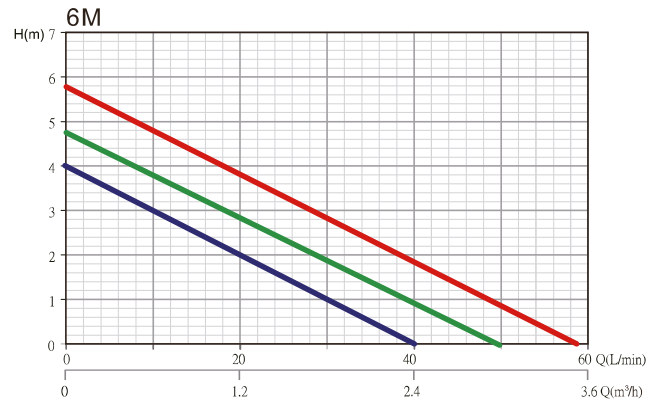
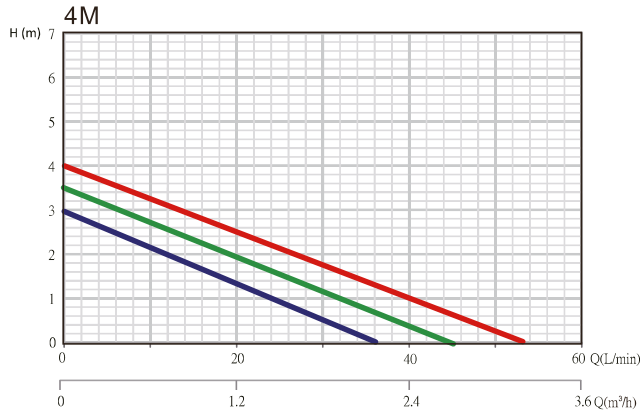
Specifications

Model	HZ	Phase	Voltage	Power	Head	Flow	Current	input/output	Weight
HH-15-90-160	50	1 ϕ	220V-240V	110	9	1.5	0.5	3/4"	2.5

Model	HZ	Phase	Voltage	Power	Head	Flow	Current	input/output	Weight
HH-15-90-160	60	1 ϕ	110V	110	9	1.5	1	3/4"	2.5
HH-15-90-160	60	1 ϕ	110V	110	9	1.5	0.5	3/4"	2.5
HH-15-110-160	60	1 ϕ	110V	120	11	1.5	0.5	3/4"	2.5
HH-15-110-160	60	1 ϕ	110V	120	11	1.5	1.05	3/4"	2.5



Performance curves



Specifications

Model	HZ	Phase	Voltage	Power	Head	Flow	Current	input/output	Weight
HWS-25-40-130	50	1 ϕ	220V-240V	62.4/53.7/43.7	4	3.2	0.27	1-1/2"	2.3
HWS-25-40-180	50	1 ϕ	220V-240V	62.4/53.7/43.7	4	3.2	0.27	1-1/2"	2.6
HWS-25-60-130	50	1 ϕ	220V-240V	73.5/59.7/46.6	6	3.5	0.32	1-1/2"	2.3
HWS-25-60-180	50	1 ϕ	220V-240V	73.5/59.7/46.6	6	3.5	0.32	1-1/2"	2.6

Model	HZ	Phase	Voltage	Power	Head	Flow	Current	input/output	Weight
HWS-25-60-130	60	1 ϕ	110V	80.0/65.0/50.0	6	3.5	0.37	1-1/2"	2.3
HWS-25-60-180	60	1 ϕ	110V	80.0/65.0/50.0	6	3.5	0.37	1-1/2"	2.6
HWS-25-60-130	60	1 ϕ	110V	80.0/65.0/50.0	6	3.5	0.73	1-1/2"	2.3
HWS-25-60-180	60	1 ϕ	110V	80.0/65.0/50.0	6	3.5	0.73	1-1/2"	2.6



Registered office :
MECHLION India
No 6/7, 2nd Floor , Parvath Arcade,
Near Haiku Honda Showroom,
Old Airport road, Domlur,
Bangalore – 560071



sales@mechlion.in
service@mechlion.in

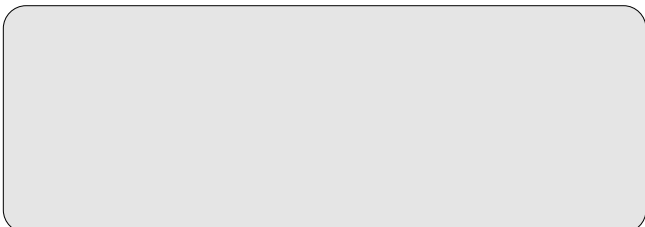


+91 90080 56699
+91 99000 95490



www.mechlion.in

AUTHORISED DISTRIBUTOR:



Our policy is one of continuous improvement. We reserve the right to alter our technical data and specifications without notice.

